

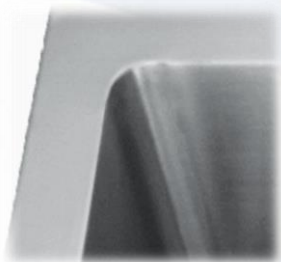
WINDMILL COUNTERTOPS

630 326 9470

\$300



Modern 50/50



Radius Corners



Modern Single



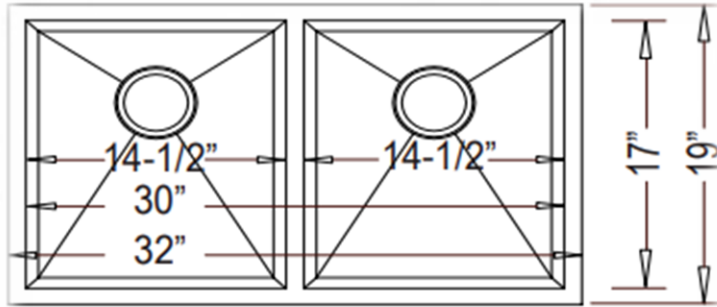
Modern 60/40
(Reverse N/A)

Features

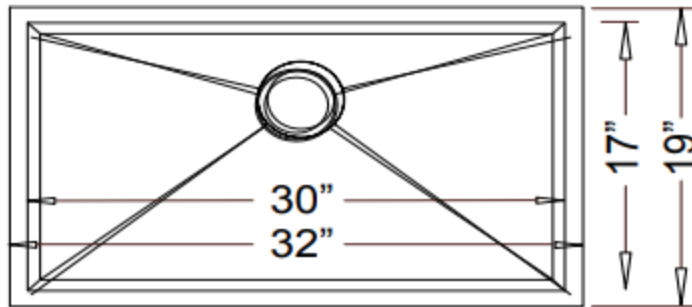
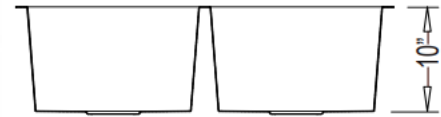
- Certified 304 Grade 15 gauge stainless steel.
- Handmade welded undermount design.
- R15mm rounded "Radial" inside corners.
- Unique sound-deadening system with sound pads and a special coating.
- Limited lifetime warranty.
- Lustrous and enduring finish which compliments any decor.
- Grid(s) available \$60.00

***** NO STRAINERS INCLUDED *****

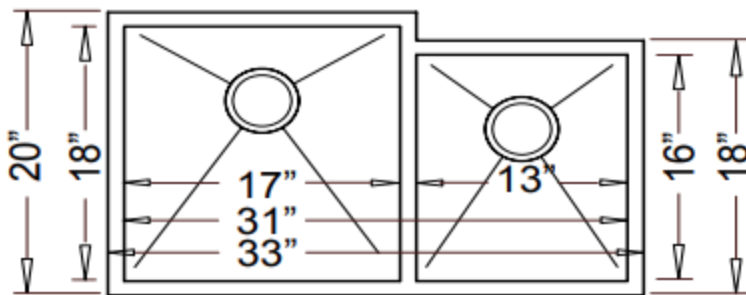
*907 W WILSON ST BATAVIA, IL 60510 * WWW.WINDMILLCOUNTERTOPS IL.COM*



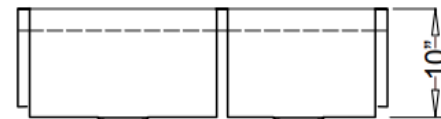
Modern 50/50 Spec



Modern Single Spec



Modern 60/40 Spec



Modern Undermount Sinks

